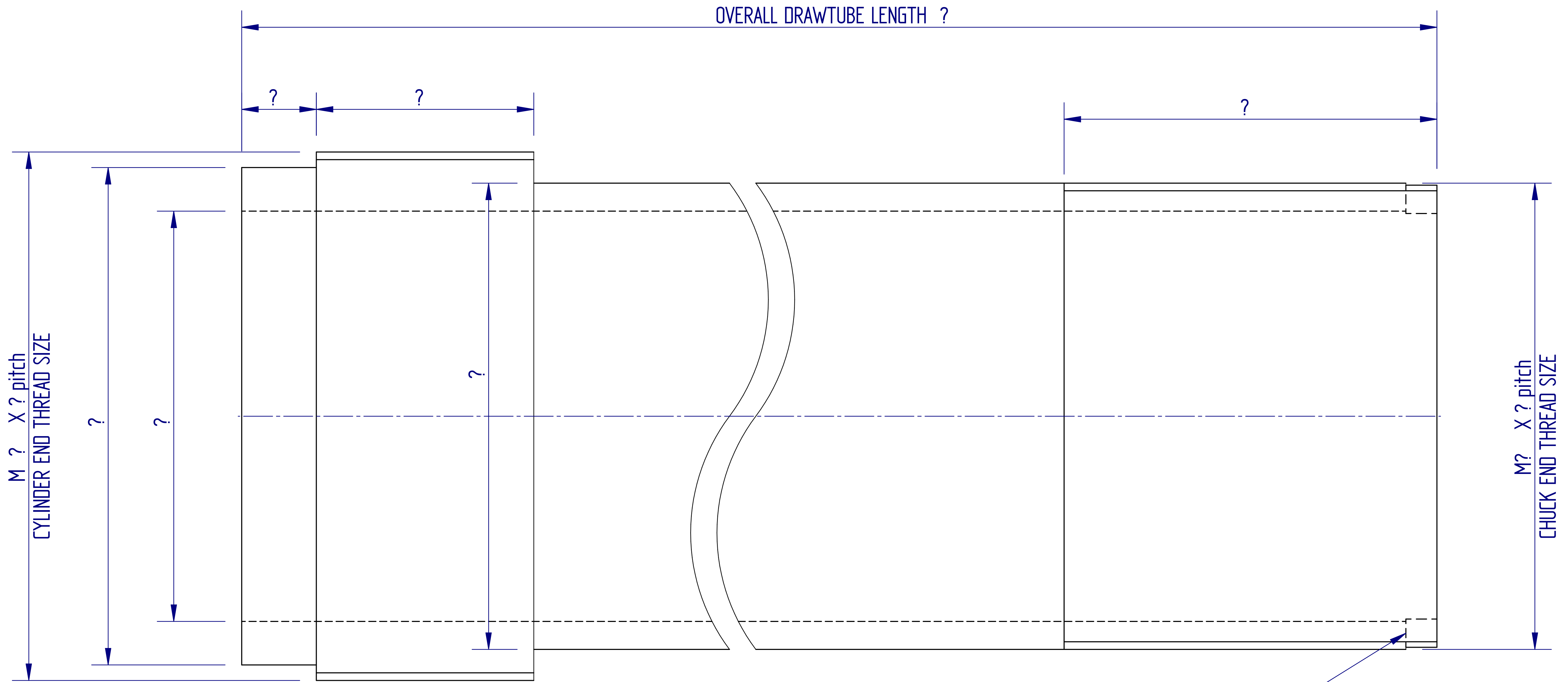


ISSUE	DATE



NOTE: All faces and diameters to be square and concentric to within 0.02.
Chamfer all edges 0.5 unless otherwise stated.

KITAGAWA EUROPE LTD.

UNIT 1, THE HEADLANDS
DOWNTON
SALISBURY
WILTSHIRE SP5 3JJ

TELEPHONE: 01725 514000
TELEFAX: 01725 514001

RANGE AS SPECIFIED	MACHINING TOLERANCES						
	NOMINAL DIMENSION						
	> 0.5 ... 3	> 3 ... 6	> 6 ... 30	> 30 ... 120	> 120 ... 400	> 400 ... 1000	> 1000 ... 2000
	ALL DIMENSION IN mm						
FINE	±0.05	±0.05	±0.1	±0.15	±0.2	±0.3	±0.5
MEDIUM	±0.1	±0.1	±0.2	±0.3	±0.5	±0.8	±1.2
COARSE	±0.2	±0.3	±0.5	±0.8	±1.2	±2	±3
VERY COARSE	—	±0.5	±1	±1.5	±2	±3	±4

DRAWN	
DATE	
SCALE	
CHECKED	
ISSUE NO.	
DATE	

TITLE	SAMPLE DIMENSION DRAWTUBE
DRAWING NUMBER	DT-DIM-SAMPLE

ANY SLOTS?
AND SIZES?